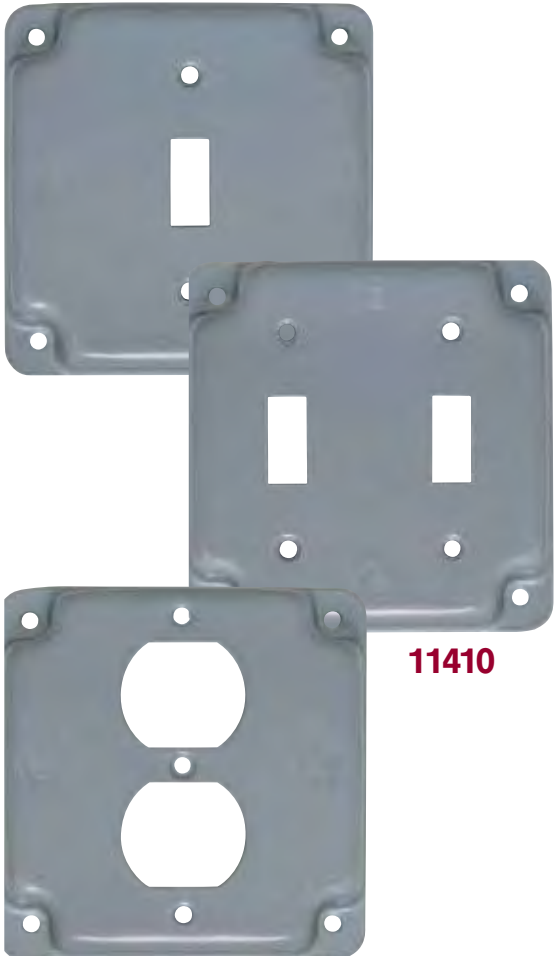


# Mulberry 4 Inch Square Raised Covers

Superior Quality • U.S. Made




**11401**

**11410**

**11402**

- Over 20 different openings and configurations available
- Depressed corners for easier mounting
- Gray powder coat finish helps prevent oxidation and possible rust
- Covers with duplex openings come with additional screw holes and mounting hardware to meet the latest NEC requirements
- Made in the USA



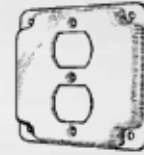
# Finished Covers

4"

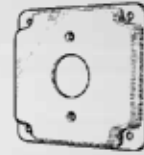
- Fully depressed corners for easier, faster mounting.
- Additional screwholes on duplex receptacles to meet NEC requirement.
- Also available unfinished in galvanized steel. Add suffix "U".
- Special 4" raised covers available (please use item no. 11441).



No. 11401



No. 11402



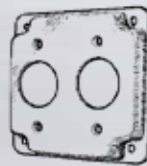
No. 11403



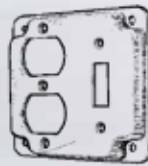
No. 11410



No. 11411



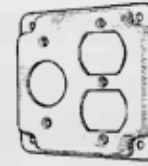
No. 11412



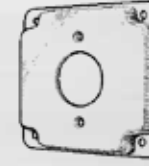
No. 11413



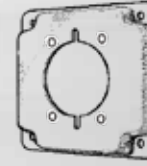
No. 11414



No. 11415



No. 11421



No. 11422

Catalog No.	Description	Carton Quantity	Weight Per 100 Units
11400	Blank	50	38 lbs.
11401	1 Toggle	50	39 lbs.
11402	1 Duplex	50	35 lbs.
11403	1 Single Receptacle	50	36 lbs.
11410	2 Toggle Switches	50	38 lbs.
11411	2 Duplex Receptacles	50	31 lbs.
11412	2 Single Receptacles	50	34 lbs.
11413	Toggle / Duplex	50	35 lbs.
11414	Toggle / Single Receptacle	50	36 lbs.
11415	Duplex / Single Receptacle	50	32 lbs.
11421	1.620" dia. 20A TL Receptacle	50	35 lbs.
11422	2.125" dia. Range/Dryer Receptacle For Leviton nos. 278 and 279	50	33 lbs.

